

# KVP<sup>®</sup> Straight 3/4" Pitch Belting 106 RT (106 Rough Top)

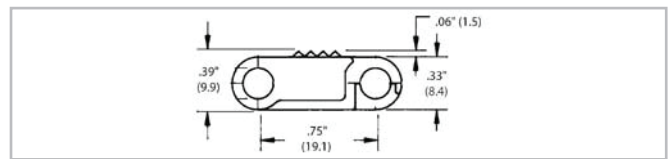
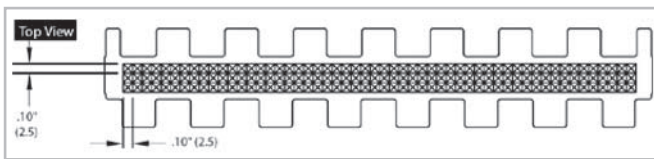
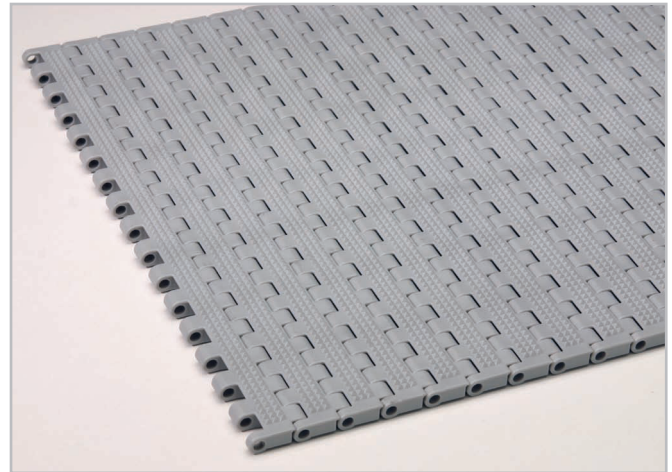


Your Source For Habasit  
Belting And Chain

www.StilesEnterprises.com • 1-800-325-4232

## Description

- 3/4 inch pitch
- Food approved materials
- Bi-directional
- Connecting rod diameter = 0.188 inch (4.8 mm)
- Standard belt width increments = 3/4 inches (19.1 mm) nominal, starting from 3 inches (76.2 mm)
- Material selection may affect belt width — please contact your local partner for actual dimensions



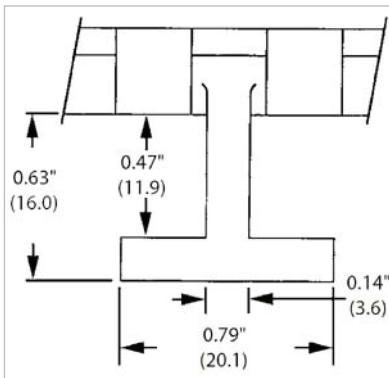
## Belt data

Belt material		PP
Rod material		PP
Nominal tensile strength $F'_N$ straight run	N/m	5487
	lb/ft	376
Temperature range	°C	5 - 105
	°F	40 - 220
Belt weight $m_B$	kg/m <sup>2</sup>	4.9
	lb/sqft	1.00
Standard belt color		gray

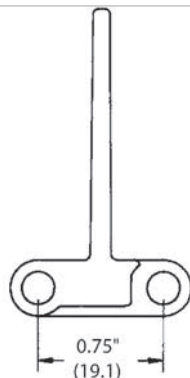
Additional belt colors and materials available, abrasive resistant Nylon (Polyamide) rods available – contact your local partner.

TPE: Consult your local partner for rough top high friction patterns.

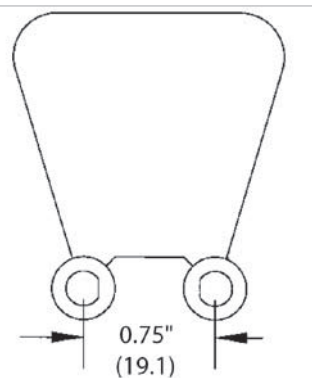
## Belt accessories



Hold down tabs



Flights  
Standard flights are available in 1-1/2" (38.1 mm) and 3" (76.2 mm) heights.



Sideplates  
Sideplates are available in 1" (25.4 mm) and 1-1/2" (38.1 mm) heights.